



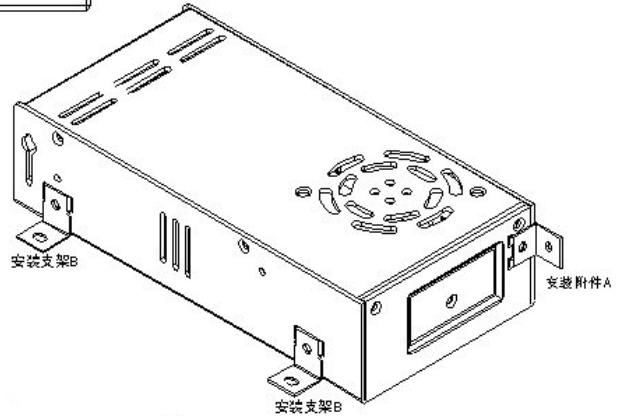
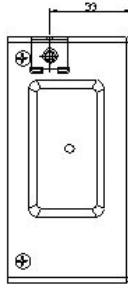
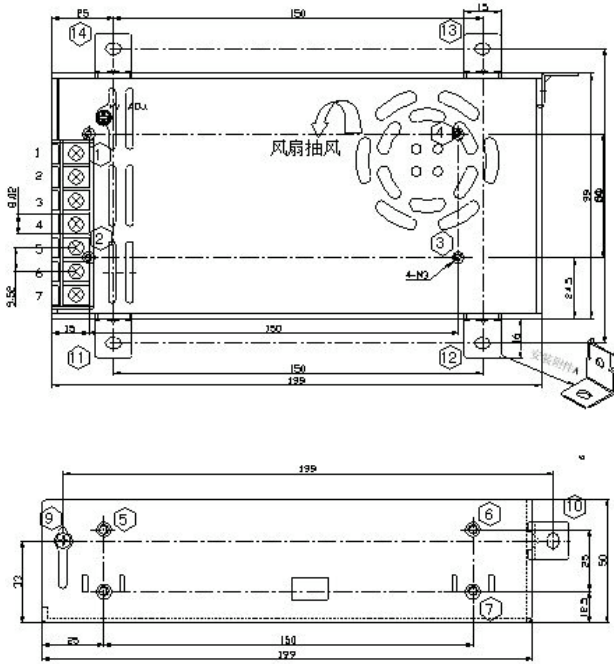
- Features:**
- AC input selectable by switch (115Vac/230Vac)
 - Withstand 300Vac surge input (5S)
 - Terminal block with plastic cover protection
 - Output protections: OPP/OLP/SCP
 - Wide operating ambient temperature (-20°C~70°C)
 - All using 105°C long life electrolytic capacitors.
 - 100% full load burn-in test
 - Suitable for peak load application
 - PCB soldering side with conformal coating
 - 2 years warranty

SPECIFICATION

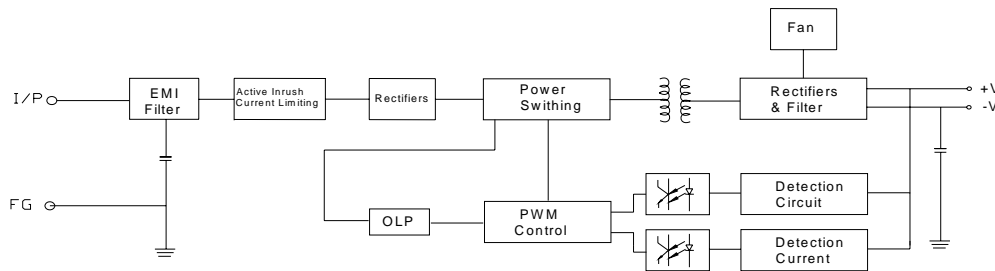
MODEL		GK-L/H350S24C	GK-L/H350S36CII	
OUTPUT	DC Output	24V	36V	
	Rated Current	14.6A	9.7A	
	Current Range	0~14.6A	0~9.7A	
	Ripple and Noise	0~70°C	≤240mV	≤360mV
		Note 2 -20~0°C	≤480mV	≤720mV
	Voltage ADJ. Range	±10%		
	Voltage Accuracy	±2%		
	Line Regulation	±0.5%		
	Load Regulation	±2%		
	Set-up Time	≤3S (110/220Vac input, Full load)		
	Hold up Time	≥12mS(110Vac input, Full load); ≥15mS(220Vac input, Full load)		
	Temperature Coefficient	±0.03%/°C		
Overshoot and Undershoot	<5.0%			
INPUT	Voltage Range	90~132Vac/180~264Vac		
	Frequency Range	47Hz-63Hz		
	Efficiency (Typical)	86%	87%	
	AC Current (max.)	4.5A		
	Inrush Current (Typical)	<50A@110/220Vac Cold start		
	Leakage Current	Input to PG<3.5mA Input to output<0.25m		
PROTECTION	Over Load	105%~150% of rated output current, constant current, auto recovery		
	Over power	105%~150% of rated output current, constant current, auto recovery		
	Short Circuit	Long-term mode, auto recovery		
ENVIRONMENT	Operating amb. Temp. & Hum.	-20°C~70°C; 20%~90%RH No condensing (refer to the derating curve)		
	Vibration	10 ~ 150Hz, 2G 10min./1cycle, period for60min. each along X,Y, Z axes		
	Storage Temp. & Hum.	-40°C~85°C; 10%~95%RH No condensing		
SAFETY & EMC (Note 3)	Safety Standards	GB4943/EN60950		
	Withstand Voltage	Primary-Secondary:3.0KVac; ≤10mA .Primary-PG:1.5KVac; ≤10mA. Secondary-PG:0.5KVDC; ≤10mA.		
	Isolation Resistance	≥100M ohms		
	EMI Conduction&Radiation	Compliance to EN55022 Class A		
	EMS Immunity	Compliance to EN61000-4-2,4,5,8,11		
OTHERS	MTBF (MIL-HDBK-217F)	More than 200,000Hrs (25°C, Full load)		
	Dimension (L*W*H)	199×99×50mm		
	Packing	20PCS/CTN, 17.5KGS, 0.05CBM		
	Cooling method	Forced air cooling (built-in Fan)		
NOTE	1. All parameters NOT specially mentioned are measured at 230Vac input, rated load and 25°C of ambient temperature. 2. Measured at 20MHz of bandwidth by using a 12" twisted pair-wire terminated with a 0.1 uF & 47uF parallel capacitor 3. The SPS is considered a component which will be installed into final equipment. The equipment must be re-confirmed that it still meets EMC directives.			

Mechanical Specification

Unit: mm



Block Diagram



Derating Curve

