

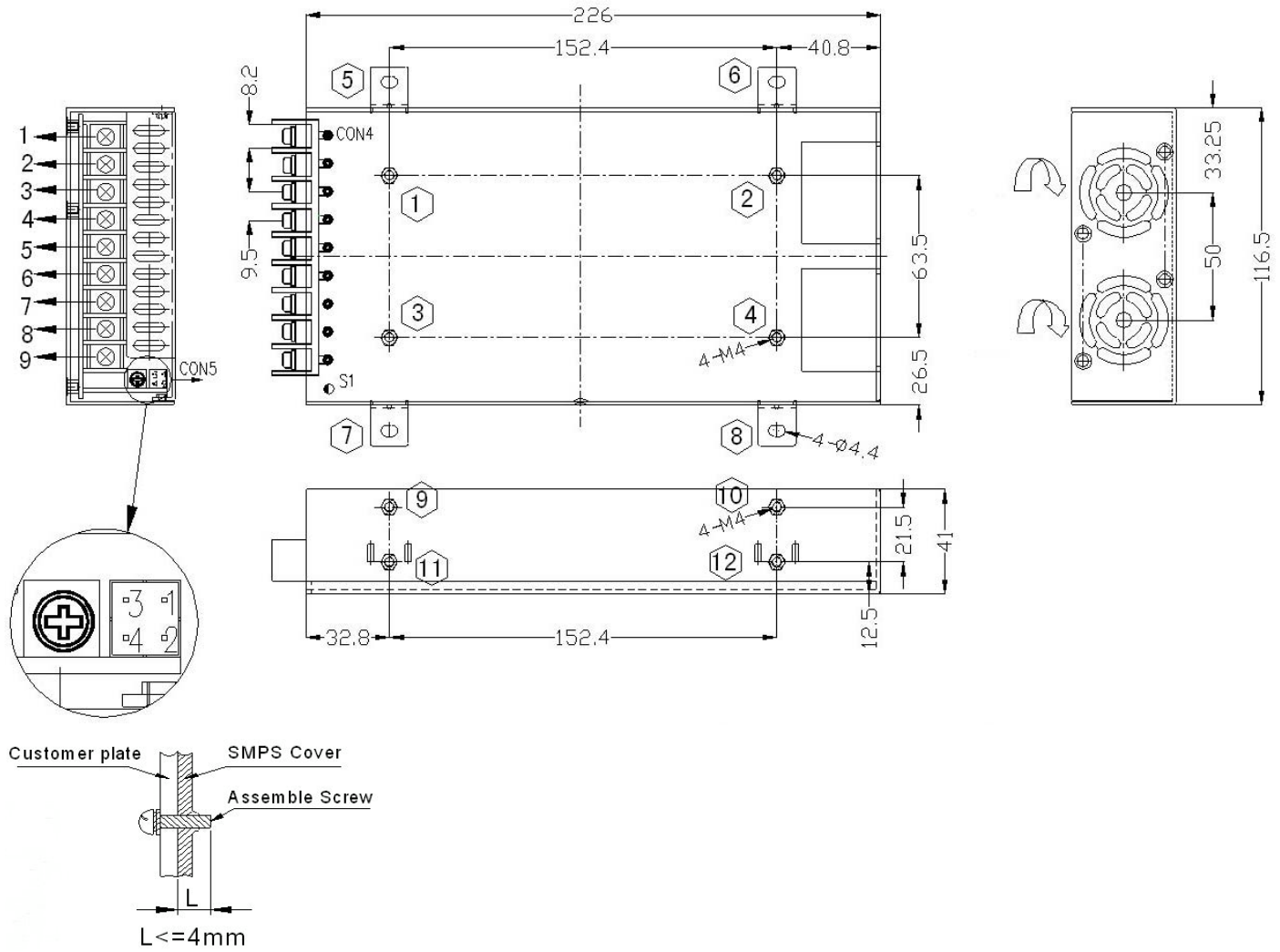
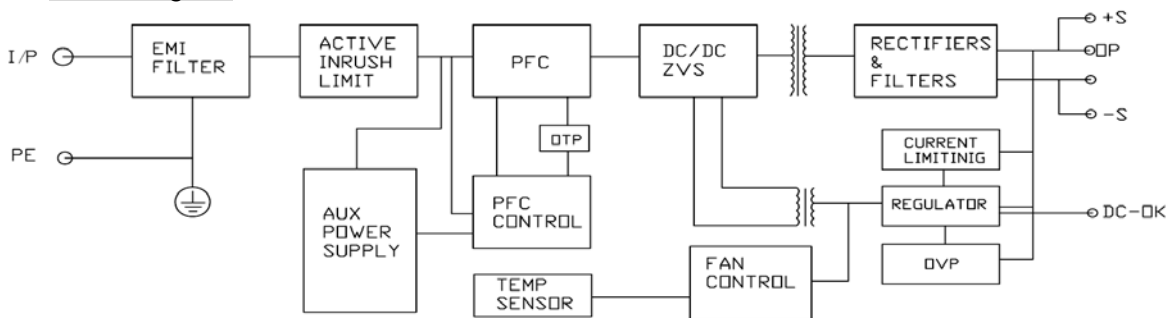

Features:

- Universal AC input/ Full range(90~264Vac)
- Built-in active PFC function, PF>0.96
- Using ZVS technology to reduce power dissipation
- Output protection: OVP/OLP/SCP/OPP/OTP
- Built in Fan speed control
- Built in AC inrush current limiting circuit(<20A)
- Built in constant current limiting circuit
- Built in Remote Sense Function
- Built in DC OK signal
- Wide operating ambient temperature (-30℃~50℃)
- 1 U low profile,41mm
- PCB soldering side with conformal coating
- 3 years warranty

MODEL		PDF-1200-24	PDF-1200-36	PDF-1200-48	
OUTPUT	DC Output	24V	36V	48V	
	Rated Current (90~176Vac)	25A	15A	12.5A	
	Rated Current (176~264Vac)	50A	34A	25A	
	Ripple and Noise	0~50C	≤150mV		≤200mV
		Note 2 -30C	≤150mV		≤400mV
	Voltage ADJ. Range	21~27V	32~37V	45~53V	
	Voltage Accuracy	±1%			
	Line Regulation	±0.5%			
	Load Regulation	±1%			
	Set-up Time	≤5S (220Vac input, Full load)			
	Hold up Time	≥16mS (220Vac input, Full load)			
	Temperature Coefficient	±0.03%/℃			
	Overshoot and Undershoot	<5.0%			
INPUT	Voltage Range	90Vac~264Vac			
	Frequency Range	47Hz~63Hz			
	Power Factor(Typical)	PF≥0.96/230VAC	PF≥0.98/115VAC	Full Load	
	Efficiency (Typical)	89%	89%	90%	
	AC Current (max.)	<10 A			
	Inrush Current (Typical)	<10A @220Vac, Cold start	<20A @220Vac, Cold start	<30A @220Vac, Cold start	
	Leakage Current	Input—output: ≤0.25mA Input—PG: ≤3.5mA			
PROTECTION	Over Load	105%~125% of rated current, constant current, auto recovery			
	Over Power	105%~125% of rated power, constant current, auto recovery			
	Over Temperature	115℃±5℃(detect on Mosfet temperature);shut down,auto recovery after the temperature goes down to 75℃			
	Over Voltage	110%~130% of rated output voltage, constant voltage			
	Short Circuit	Long-term mode, constant current, auto recovery			
ENVIRONMENT	Operating amb. Temp. & Hum.	-30℃~50℃; 20%~90%RH No condensing (refer to derating curve)			
	Storage Temp. & Hum.	-40℃~85℃; 10%~95%RH No condensing			
SAFETY & EMC (Note 3)	Safety Standards	Meet IEC60950/ UL60950 ; EN60950-1:2006			
	Withstand Voltage	Primary-Secondary: 3.0KVac/10mA .Primary-PG:1.5KVac/10mA. Secondary-PG: 0.5KVdc/10mA.			
	Isolation Resistance	10M ohms			
	EMI Conduction & Radiation	Compliance to EN55022 Class A			
	Harmonic Current	Compliance to EN61000-3-2,Class D			
	EMS Immunity	Compliance to EN61000-4-2,3,4,5,6,8,11; heavy industry level			
OTHERS	MTBF (MIL-HDBK-217F)	More than 200,000Hrs (25℃, Full load)			
	Dimension (L*W*H)	226×116.5×41mm			
	DC OK signal	4~6V			
	Packing	12PCS/CTN, 17.5Kgs, 0.04CBM			
	Cooling method	Fored air cooling (Built-in fan,the fan speed is controlled by load and internal temp.)			

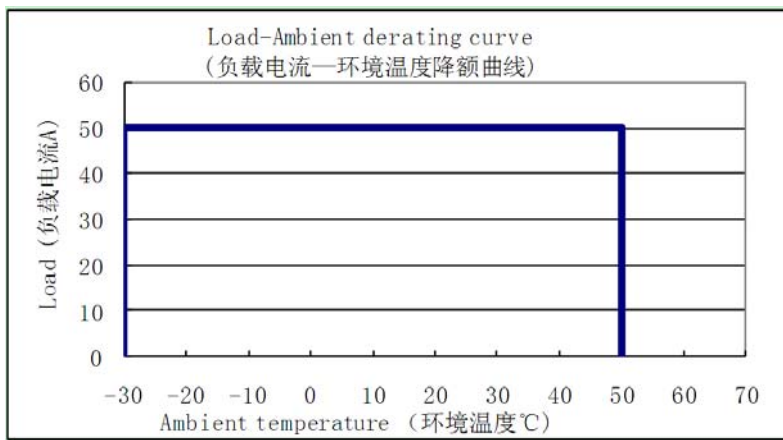
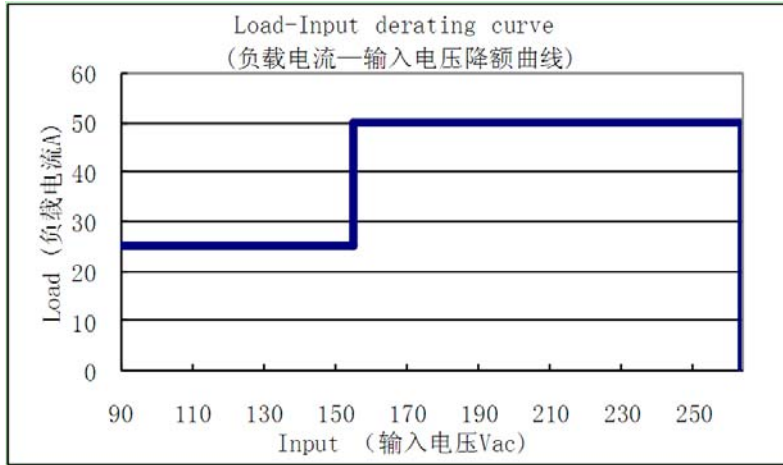
NOTE

1. All parameters NOT specially mentioned are measured at rated input, rated load and 25°C of ambient temperature.
2. Measured at 20MHz of bandwidth by using a 12" twisted pair-wire terminated with a 0.1 uF & 47uF parallel capacitor.
3. The power supply is considered as a component which will be installed into a final equipment. The final equipment must be re-confirmed that it still meets EMC directives. For guidance on how to perform these EMC tests, please refer to "EMI testing of component power supplies" on <http://www.powerld.com>.

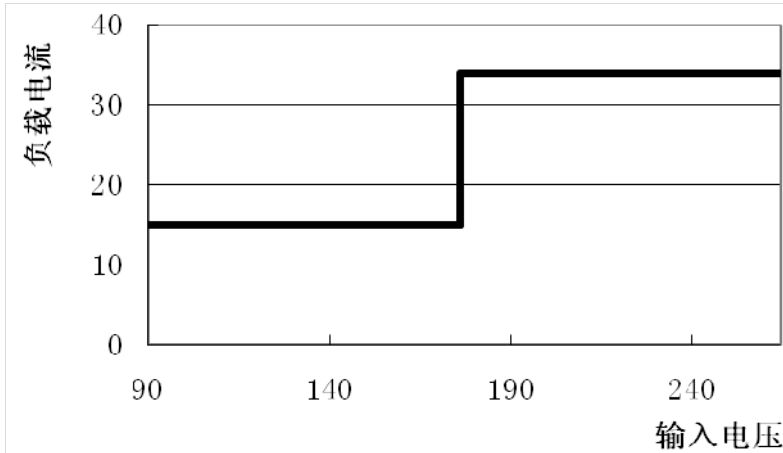
■ Mechanical Specification Unit:mm

■ Block Diagram


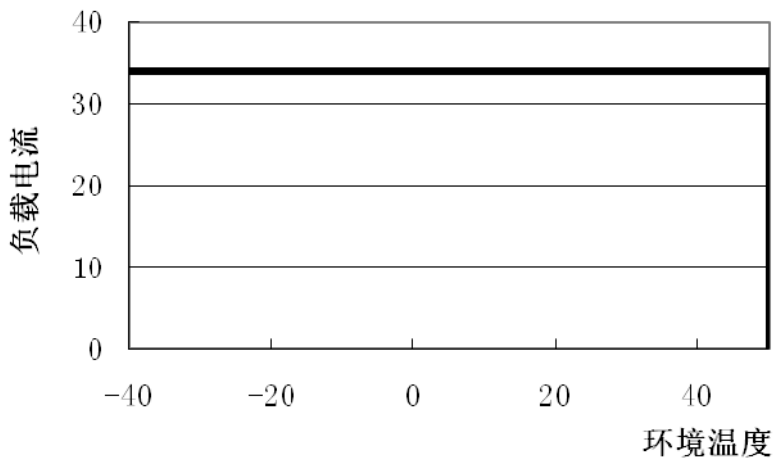
Derating curve

PDF-1200-24:



PDF-1200-36:





PDF-1200-48:

