

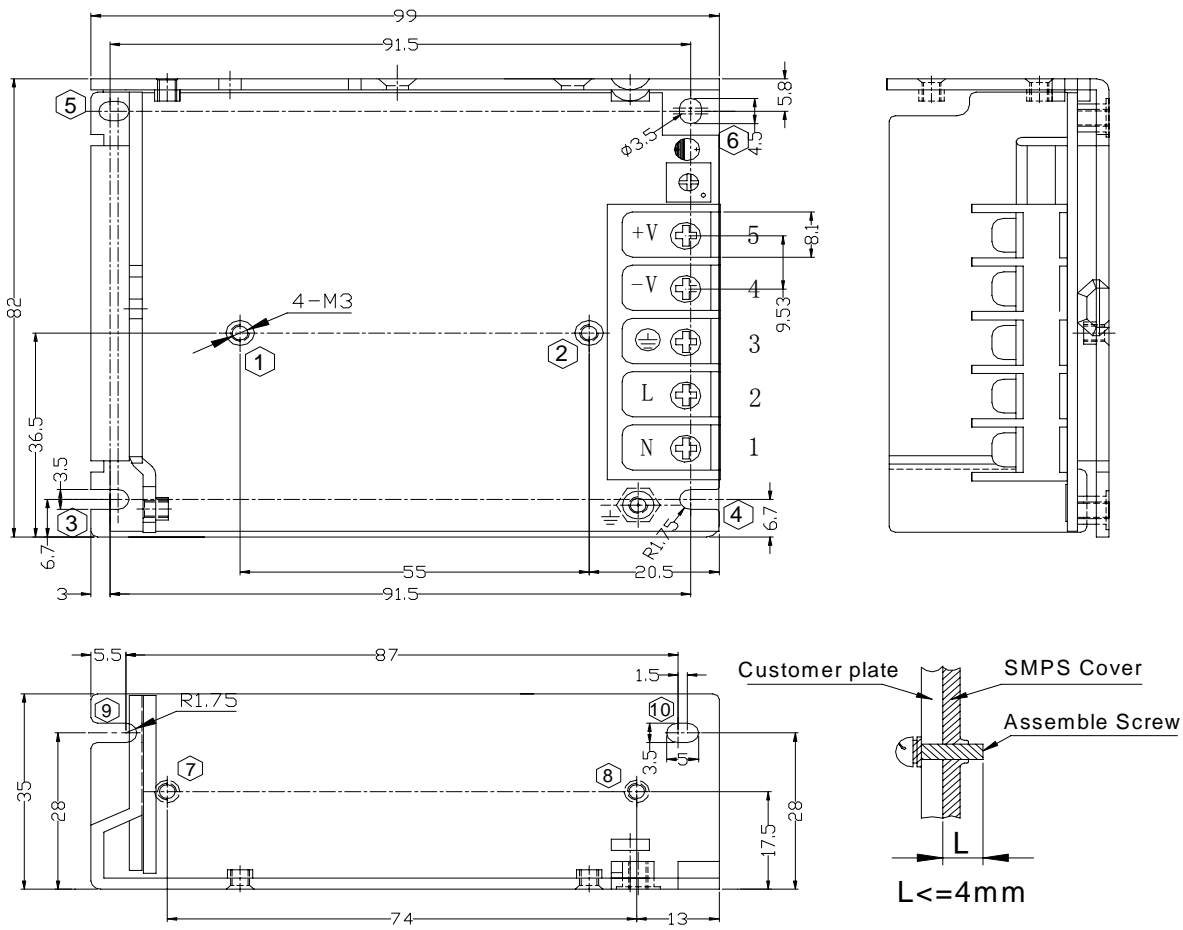

Features:

- No Load power consumption<0.5W
- Universal AC input range
- Miniature size,high power density,high efficiency,long life and high reliability
- Withstand 300VA surge input for 5 sec.
- Output protections: OLP/OVP/SCP
- Wide operating ambient temp (-25°C~70°C), 100% @50°C、70%@70°C
- All using 105°C long life electrolytic capacitors.
- 100% full load burn-in test
- Easy assembling from top side
- PCB soldering side with conformal coating
- Suitable for critical applications
- 3 years warranty

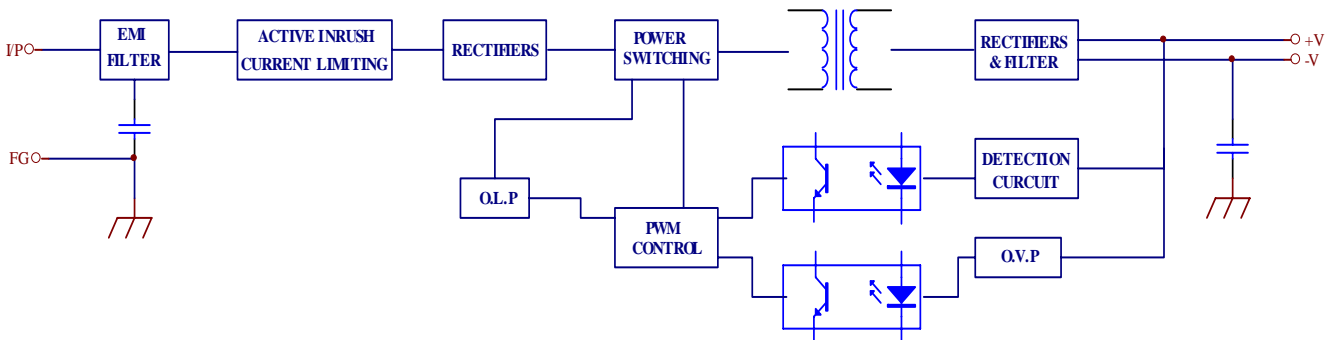
SPECIFICATION

MODEL		PD-50-5-D	PD-50-12-D	PD-50-15-D	PD-50-24-DII
OUTPUT	DC Output	5V	12V	15V	24V
	Rated Current	8A	4.2A	3.4A	2.2A
	Current Range	0~8A	0~4.2A	0~3.4A	0~2.2A
	Ripple and Noise (-25°C~70°C) Note 2	<80mV	<120mV	<120mV	<200mV
	Voltage ADJ. Range	4.75~5.5V	11.4~13.2V	14.25V~15V	22.8V~26.4V
	Voltage Accuracy	±3.0%	±3.0%	±3.0%	±3.0%
	Line Regulation	±0.5%	±0.5%	±0.5%	±0.5%
	Load Regulation	±1.0%	±1.0%	±1.0%	±1.0%
	Set-up Time	<1.5S (230Vac input, Full load)			
	Hold up Time	>50mS(230Vac input, Full load)			
	Temperature Coefficient	±0.03%/°C			
	Overshoot and Undershoot	<5.0%			
INPUT	Voltage Range	90Vac~264Vac, 127~370Vdc			
	Frequency Range	47Hz~63Hz			
	Efficiency (Typical)	80%	84.5%	85.5%	87%
	AC Current (max.)	<1.3A			
	Inrush Current (Typical)	<40A@230Vac Cold start			
	Leakage Current	Input—output:<0.25mA Input—PG:<3.5mA			
PROTECTION	Over Load	105%-150% of rated output current, constant power			
	Over power	105%-150% of rated output current, constant power			
	Over Voltage	115%-150% of rated output voltage, Constant Voltage			
	Short Circuit	Long-term mode, auto recovery			
ENVIRONMENT	Operating amb. Temp. & Hum.	-25°C~70°C; 20%-90%RH No condensing (refer to the derating curve)			
	Storage Temp. & Hum.	-40°C~85°C; 10%-95%RH No condensing			
SAFETY & EMC Note 3	Safety Standards	EN60950-1:2006			
	Withstand Voltage	Primary-Secondary:3.0KVac; ≤10mA .Primary-PG:1.5KVac; ≤10mA. Secondary-PG:0.5KVDC;≤10mA.			
	Isolation Resistance	≥100M ohms			
	EMC Emission	Compliance to EN55022 / FCC PART 15 Class B			
	EMC Immunity	Compliance to EN61000-4-2,3,4,5,6,8,11;			
OTHERS	MTBF (MIL-HDBK-217F)	More than 200,000Hrs (25°C, Full load)			
	Dimension (L*W*H)	99×82×35mm			
	Packing	40PCS/CTN, 12.8KGS, 0.043CBM			
	Cooling method	Cooling by free air convection			
NOTE	1. All parameters NOT specially mentioned are measured at rated input, rated load and 25°C of ambient temperature. 2. Measured at 20MHz of bandwidth by using a 12" twisted pair-wire terminated with a 0.1 uF & 10uF parallel capacitor. 3. The power supply is considered as a component which will be installed into a final equipment. The final equipment must be re-confirmed that it still meets EMC directives. For guidance on how to perform these EMC tests, please refer to "EMI testing of component power supplies" on http://www.powerld.com.cn .				

Mechanical Specification Unit: mm

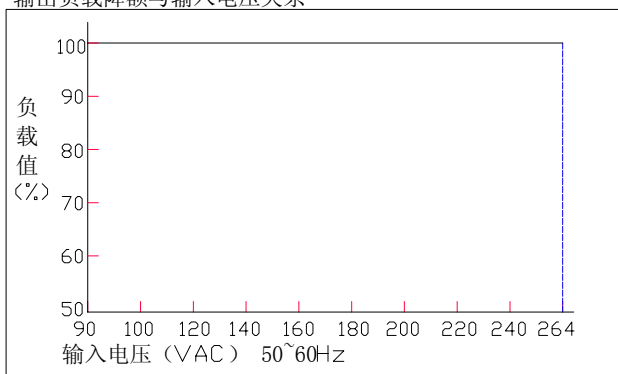


Block Diagram



Derating Curve

输出负载降额与输入电压关系



输出负载降额与环境温度关系

