
Features:

- No Load power consumption<0.5W
- Universal AC input range (90~264vAC)
- Withstand 300Vac surge input for 5 sec.
- High efficiency, long life and high reliability
- Efficiency up to 90%
- Output protections: OLP/OVP/OPP/SCP
- Wide operating ambient temp (-30℃~70℃)
- Operating altitude up to 5000m
- All using 105℃ long life electrolytic capacitors.
- 100% full load burn-in test
- 3 years warranty

SPECIFICATION

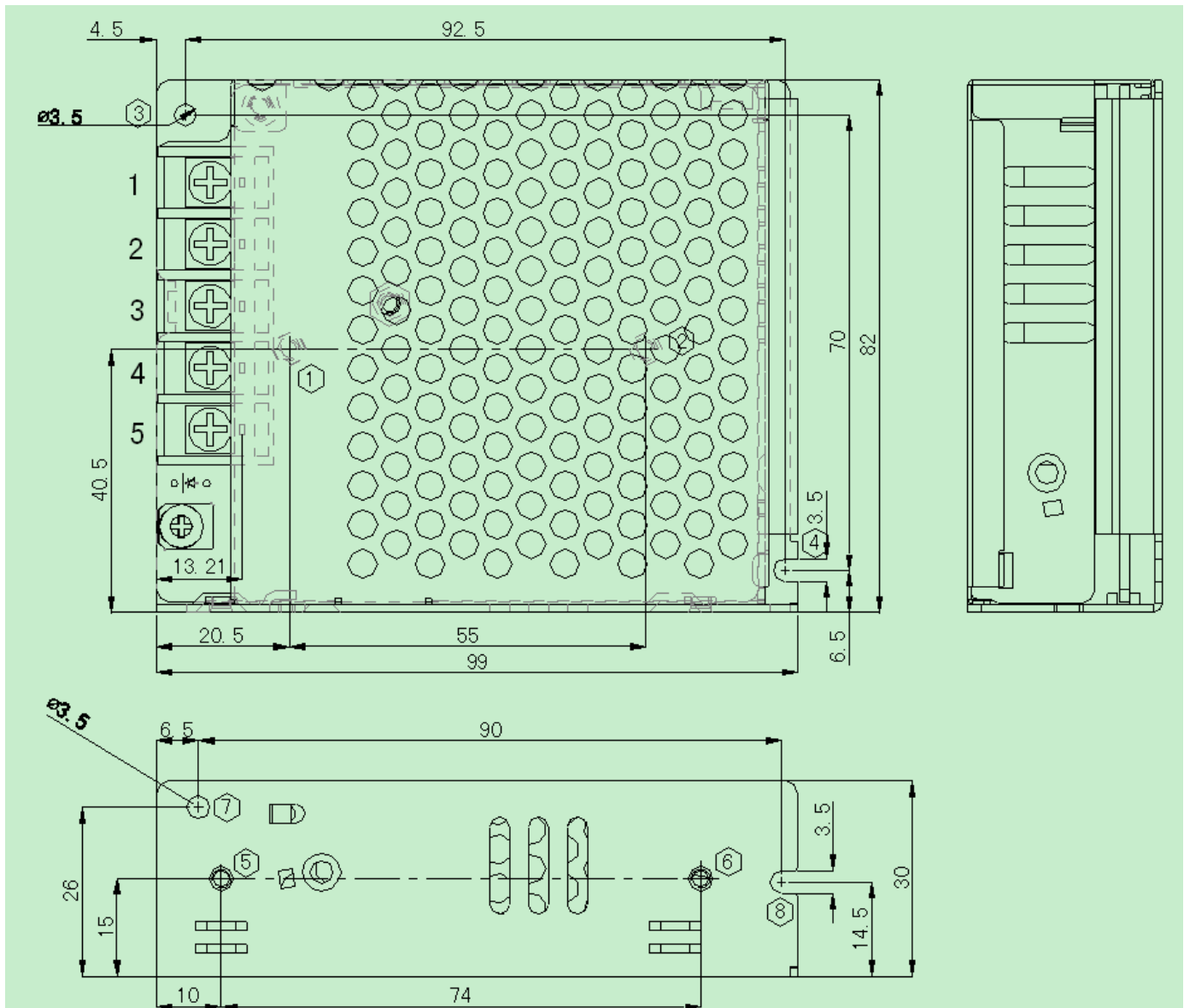
MODEL		LPD-50-5	LPD-50-12	LPD-50-15	LPD-50-24	LPD-50-48	
OUTPUT	DC Output	5V	12V	15V	24V	48V	
	Rated Current	10A	4.2A	3.4A	2.2A	1.1A	
	Current Range	0~10A	0~4.2A	0~3.4A	0~2.2A	0~1.1A	
	Ripple and Noise note2	0~70℃	80mV	120mV	120mV	200mV	200mV
		-30~0℃	120mV	200mV	200mV	300mV	500mV
	Voltage ADJ. Range	4.5~5.5V	10.8~13.2V	13.5~16.5V	21.6~26.4V	43.2~52.8V	
	Voltage Accuracy	±3.0%					
	Line Regulation	±0.5%					
	Load Regulation	±1.0%					
	Set-up Time	≤1S (230Vac input, Full load)					
	Hold up Time	≥15mS (230Vac input, Full load)					
	Temperature Coefficient	±0.03%/℃					
Overshoot and Undershoot	<5.0%						
INPUT	Voltage Range	90Vac~264Vac					
	Frequency Range	47Hz~63Hz					
	Efficiency (Typical)	83%	86%	88%	88%	90%	
	AC Current (max.)	<1.0A @ 115Vac					
	Inrush Current (Typical)	50A@230Vac Cold start					
	Leakage Current	Input—output:<0.25mA Input—PG:<3.5mA					
PROTECTION	Over Load	11~18A	4.62~7.5A	3.74~6A	2.42~3.75A	1.21~1.875A	
		Protection type: hiccup mode, auto recovery					
	Over power	55~90W	55.5~90W	56.5~90W	58~90W	58~90W	
		Protection type: hiccup mode, auto recovery					
	Over Voltage	5.75~6.9V	13.8~16.2V	18.75~21.75V	28.8~33.6V	55.2~64.8V	
Short Circuit	Long-term mode, auto recovery						
ENVIRONMENT	Operating amb. Temp. & Hum.	-30℃~70℃; 20%~90%RH No condensing (refer to the derating curve)					
	Storage Temp. & Hum.	-40℃~85℃; 10%~95%RH No condensing					
SAFETY & EMC Note 3	Safety Standards	UL60950-1, TUV EN60950-1, EN60335-1, EN61558-1/-2-16,CCC GB4943					
	Withstand Voltage	Primary-Secondary:3.0KVac/10mA .Primary-PG:1.5KVac/10mA. Secondary-PG:0.5KVDC/10mA.					
	Isolation Resistance	100M ohms					
	EMC Emission	Compliance to EN55022 / FCC PART 15 Class B					
	EMC Immunity	Compliance to EN61000-4-2,4,5,11;					
OTHERS	MTBF (MIL-HDBK-217F)	More than 200,000Hrs (25℃, Full load)					
	Dimension (L*W*H)	99×82×30mm					
	Packing	TBD					
	Cooling method	Cooling by free air convection					

NOTE

1. All parameters NOT specially mentioned are measured at rated input, rated load and 25 °C of ambient temperature.
2. Measured at 20MHz of bandwidth by using a 12" twisted pair-wire terminated with a 0.1 uF & 10uF parallel capacitor.
3. The power supply is considered as a component which will be installed into a final equipment. The final equipment must be re-confirmed that it still meets EMC directives. For guidance on how to perform these EMC tests, please refer to "EMI testing of component power supplies" on <http://www.powerld.com.cn>.

Mechanical Specification

Unit: mm

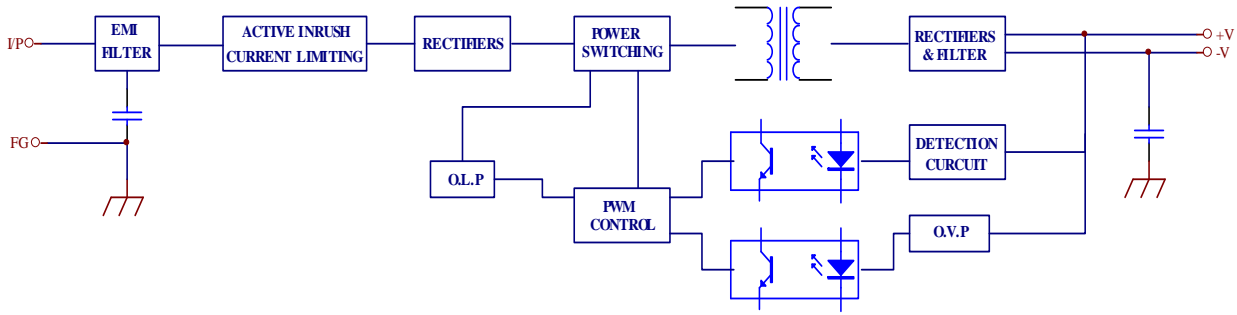


Mounting location	Mounting method	Mounting holes	Screw Spec	Lmax	Torque(max)
Bottom mounting	Fix by Screws	1~2	M3	4mm	6.5Kgf.cm
		3~4	M3	4mm	
Side mounting	Fix by Screws	5~6	M3	4mm	6.5Kgf.cm
		7~8	M3	4mm	

1.AC input terminals definition			
No.	Function	Wire specs	Torque(max)
1	L	22-12AWG	12Kg/cm
2	N		
3	PE		

2.DC output terminals definition			
No.	Function	Wire specs	Torque(max)
4	V-	22-12AWG	12Kg/cm
5	V+		

■ **Block Diagram**



■ **Derating Curve**

