


**Features:**

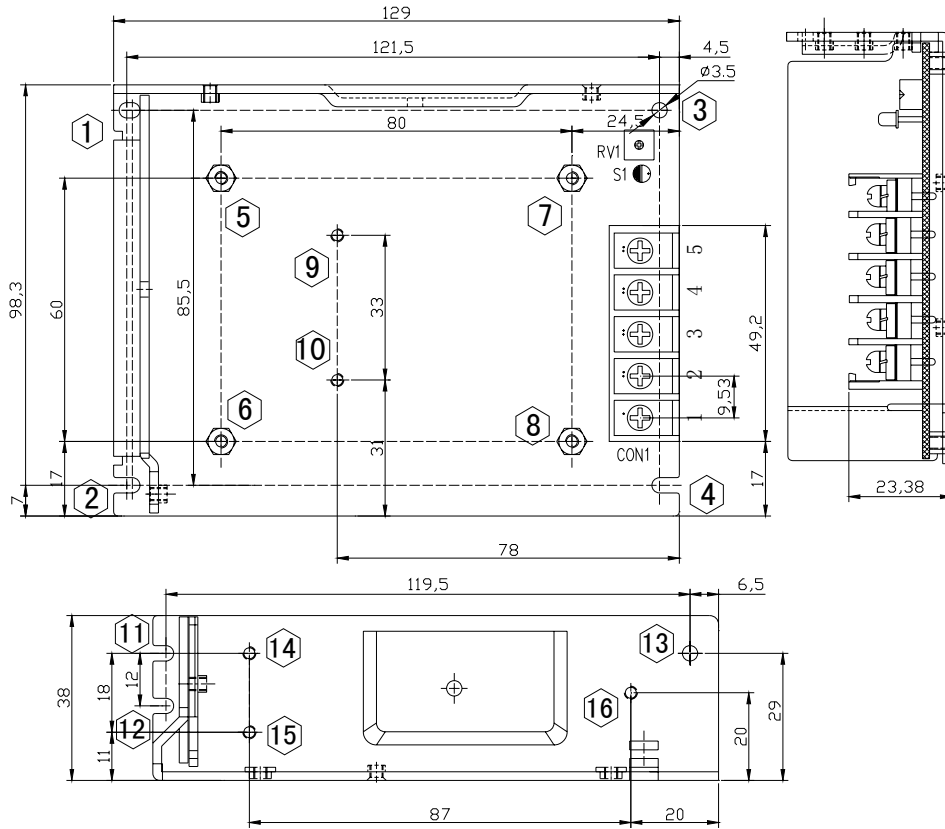
- 176~264Vac input range
- Withstand 300Vac surge input (5S)
- High Efficiency, and High reliability
- Terminal block with plastic cover protection
- Output protections: OPP/OVP/SCP/OTP/OLP
- Wide operating ambient temperature (-20°C~70°C)
- All using 105°C long life electrolytic capacitors.
- 100% full load burn-in test
- Suitable for peak load application
- 2 years warranty

**SPECIFICATION**

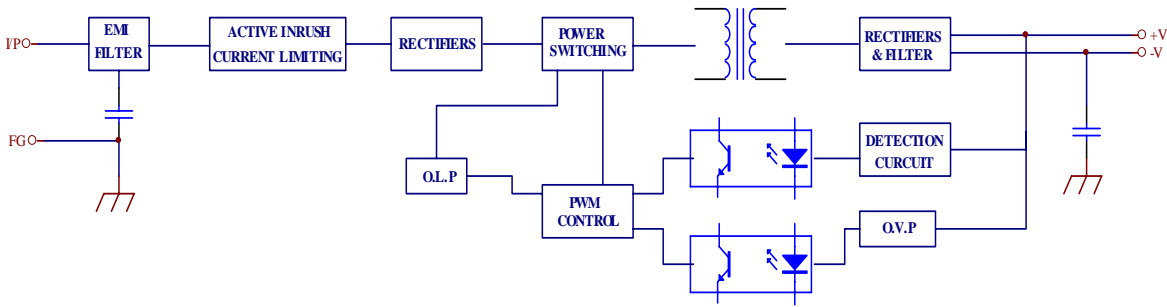
MODEL		GK-H100S24	
OUTPUT	DC Output	24V	
	Rated Current	4.5A	
	Current Range	0~4.5A	
	Ripple and Noise Note	0~70°C	≤120mV
		-20~0°C	≤240mV
	Voltage ADJ. Range	22.8~26.4V	
	Voltage Accuracy	±1%	
	Line Regulation	±0.5%	
	Load Regulation	±0.5%	
	Set-up Time	≤2.0S (220Vac input, Full load)	
	Hold up Time	≥20mS (220Vac input, Full load)	
	Temperature Coefficient	±0.03%/°C	
Overshoot and	<5.0%		
INPUT	Voltage Range	176~264Vac	
	Frequency Range	47Hz~63Hz	
	Efficiency ( Typical)	≥86%	
	AC Current (max.)	<1.5A	
	Inrush Current (Typical)	<50A@220Vac Cold start	
	Leakage Current	Input—output:<0.25mA Input—PG:<1.0mA	
PROTECTION	Over Load	7~8A, Constant Current	
	Over power	7~8A, Constant Current	
	Over temperature	95°C±5°C(detect on heatsink of power transistor);shut down, auto recover after the temperature goes down	
	Short Circuit	Long-term mode, auto recovery	
ENVIRONMENT	Operating amb. Temp. &	-20°C~70°C; 20%~90%RH No condensing(refer to the derating curve)	
	Vibration	10 ~ 150Hz, 6G 10min./1cycle, period for60min. each along X,Y, Z axes	
	Storage Temp. & Hum.	-40°C~85°C; 10%~95%RH No condensing	
SAFETY & EMC (Note 3)	Safety Standards	IEC/EN/UL/CSA 60950/GB4943	
	Withstand Voltage	Primary-Secondary:3.0KVac;≤10mA;Primary-PG:1.5KVac;≤10mA.Secondary-PG:0.5KVDC;≤10mA.	
	Isolation Resistance	≥100M ohms	
	EMI Conduction	Compliance to EN55022 Class B	
	EMS Immunity	Compliance to EN61000-4-2,3,4,5,6,8,11	
OTHERS	MTBF (MIL-HDBK-217F)	More than 200,000Hrs (25°C, Full load)	
	Dimension (L*W*H)	129×98×38mm	
	Packing	36pcs/17kgs, 0.031cbm	
	Cooling method	Cooling by free air convection	
NOTE	1. All parameters NOT specially mentioned are measured at 230Vac input, rated load and 25°C of ambient temperature. 2. Measured at 20MHz of bandwidth by using a 12" twisted pair-wire terminated with a 0.1 uF & 47uF parallel capacitor. 3. The SPS is considered a component which will be installed into final equipment. The equipment must be re-confirmed that it still meets EMC directives.		

**Mechanical Specification**

Unit: mm



**Block Diagram**



**Derating Curve**

