


Features:

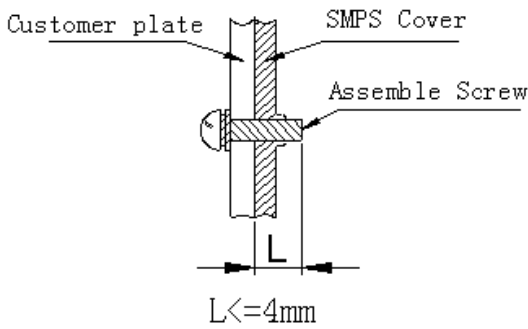
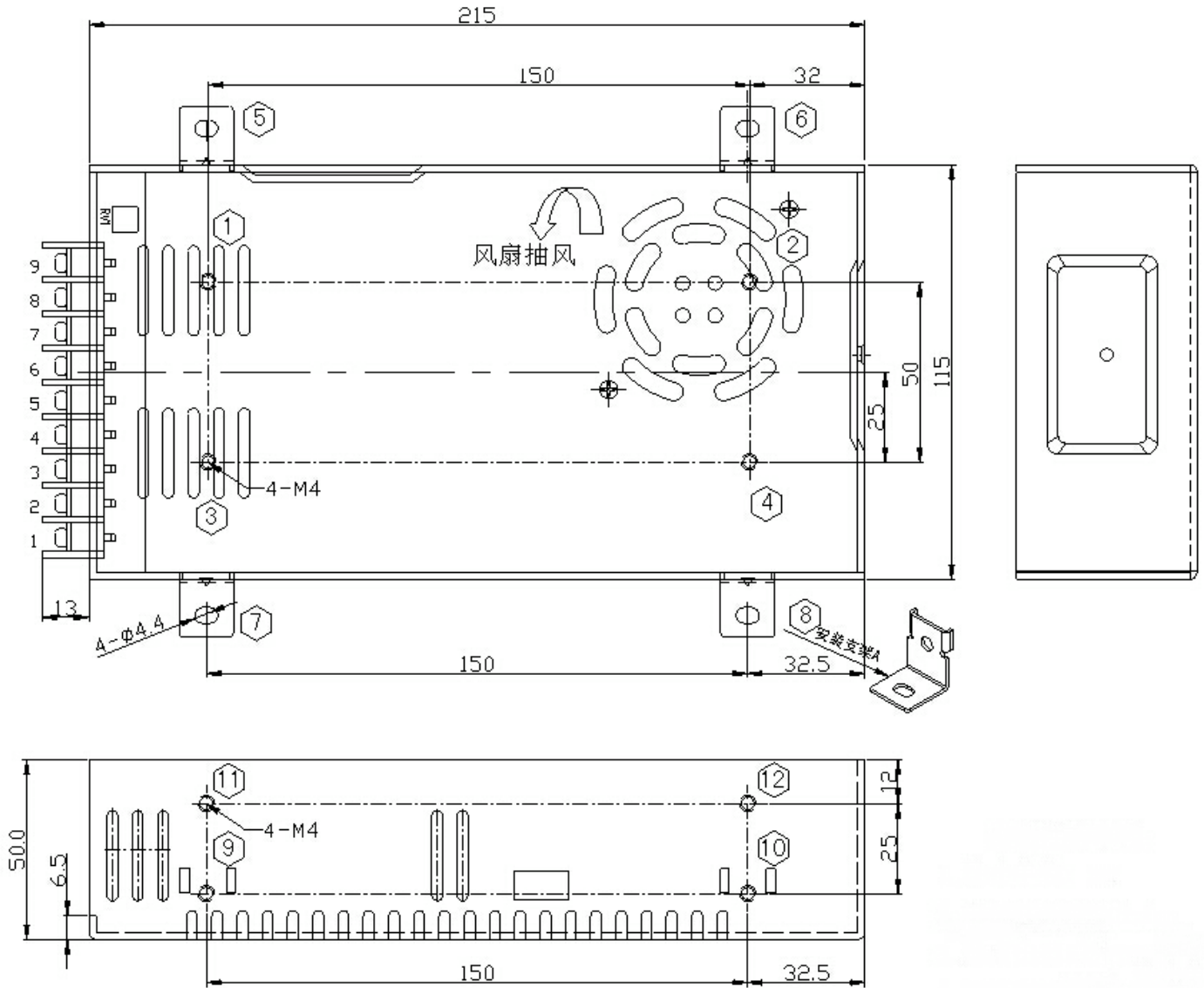
- AC input selectable by switch (115Vac/230Vac)
- High efficiency, long life and high reliability
- Output protections: OLP/SCP/OPP
- Wide operating ambient temp (-20°C~70°C)
- All using 105°C long life electrolytic capacitors.
- 100% full load burn-in test
- Built-in cooling fan speed control
- Suitable for critical applications
- 2 years warranty

SPECIFICATION

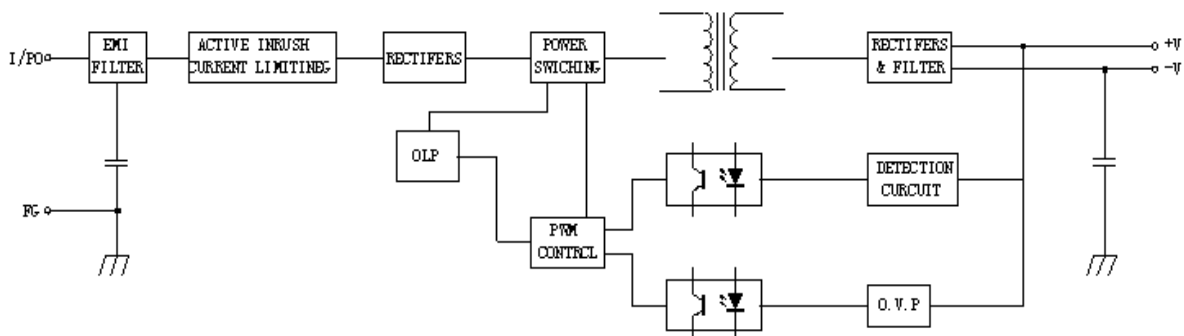
MODEL		ABS-350-12	ABS-350-24	ABS-350-36	ABS-350-48	
OUTPUT	DC Output	12V	24V	36V	48V	
	Rated Current	29A	14.6A	9.7A	7.3A	
	Current Range	Note 1 0~29A	0~14.6A	0~4.5A	0~7.3A	
	Ripple and Noise	0~70°C	<150mV	<240mV	<200mV	<200mV
		Note 2 -20°C	<300mV	<300mV	<300mV	<300mV
	Voltage ADJ. Range	10V-13.5V	21.6V-26.4V	32V-40V	41V-56V	
	Voltage Accuracy	±1.0%				
	Line Regulation	±0.5%				
	Load Regulation	±1.0%				
	Set-up Time	≤2.0S /115Vac input, Full load; ≤1.0S /230Vac input, Full load				
	Hold up Time	≥10mS/115Vac input, Full load; ≥20mS/230Vac input, Full load				
	Temperature Coefficient	±0.03%/°C				
Overshoot and Undershoot	<5.0%					
INPUT	Voltage Range	90Vac~132Vac/180Vac~264Vac				
	Frequency Range	47Hz~63Hz				
	Efficiency (Typical)	≥82.5%	≥84%	≥86%	≥87%	
	AC Current (max.)	<7.0A				
	Inrush Current (Typical)	< 40A@115Vac; < 60A@230Vac Cold start				
	Leakage Current	Input—output:<0.25mA Input—PG:<3.5mA				
PROTECTION	Over Load	105%~150% of rated current, constant current, auto recovery				
	Over Power	105%~150% of rated output power, current limiting, auto recovery				
	Shorted Circuit	Long-term mode, auto recovery				
ENVIRONMENT	Operating amb. Temp. & Hum.	-20°C~70°C; 20%~90%RH No condensing				
	Storage Temp. & Hum.	-20°C~85°C; 10%~95%RH No condensing				
SAFETY & EMC Note 3	Safety Standards	IEC 60950-1:2005;EN60950-1:2006				
	Withstand Voltage	Primary-Secondary:3.0KVac; ≤10mA .Primary-PG:1.5KVac; ≤10mA. Secondary-PG:0.5KVDC;≤10mA.				
	Isolation Resistance	≥100M ohms				
	EMC Emission	Compliance to EN55022 Class A				
	Harmonic Current	Compliance to EN61000-3-2, Class D				
	EMC Immunity	Compliance to EN61000-4-2,4,5,8,11; heavy industry level				
OTHERS	MTBF (MIL-HDBK-217F)	More than 200,000Hrs (25°C, Full load)				
	Dimension (L*W*H)	215×115×50mm				
	Packing	10pcs/CNT, 11.6Kgs/CTN, 0.04cbm				
	Cooling method	Cooling by forced air (Built-in DC fan)				
NOTE	1. All parameters NOT specially mentioned are measured at rated input, rated load and 25°C of ambient temperature. 2. Measured at 20MHz of bandwidth by using a 12" twisted pair-wire terminated with a 0.1 uF & 10uF parallel capacitor. 3. The SPS is considered a component which will be installed into final equipment. The equipment must be re-confirmed that it still meets EMC directives.					

■ **Mechanical Specification**

Unit: mm



■ **Block Diagram**



■ Derating Curve

