



■ Features:

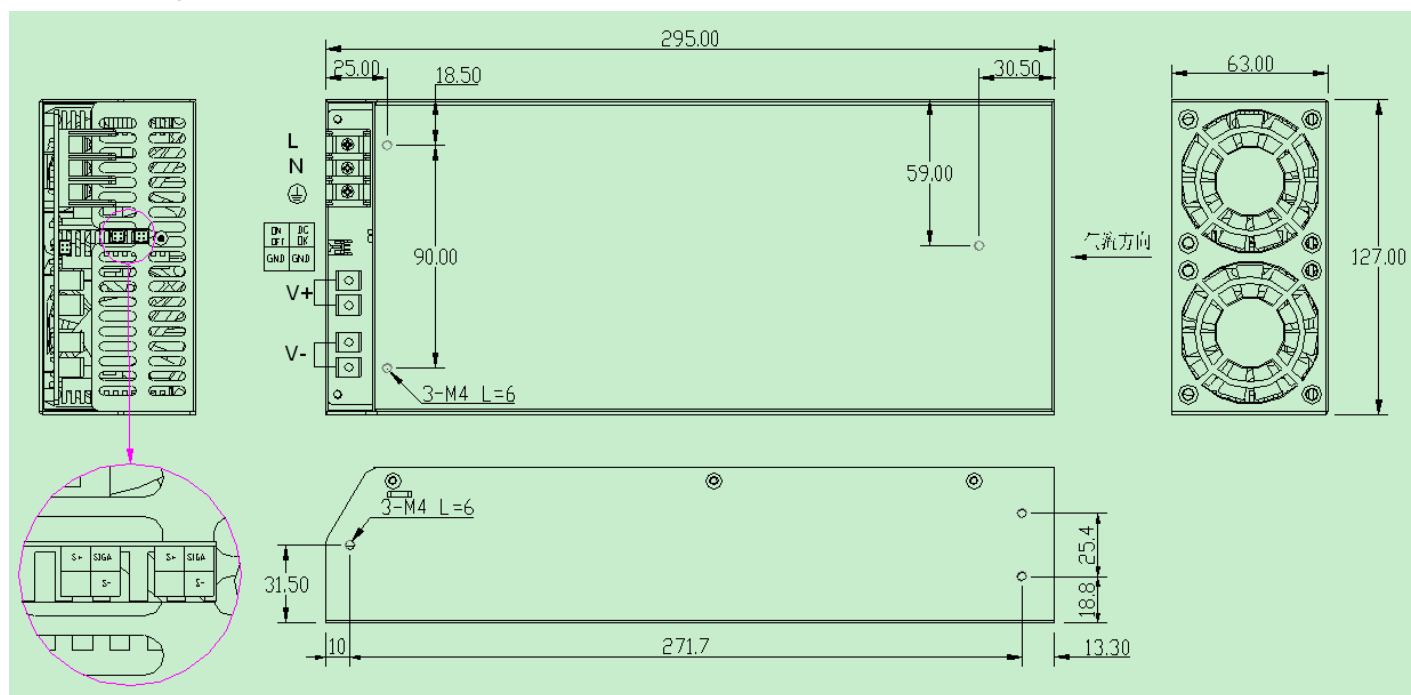
- Universal AC input/ Full range(90~264Vac)
- Built-in active PFC function, PF>0.98
- Using ZVS technology to reduce power dissipation
- Output protection: OVP/OCP/SCP/OPP/OTP
- Built in Fan speed control
- Built in AC inrush current limiting circuit(<30A)
- Built in Remote Sense Function, power good signal
- N+1 redundancy function
- Wide operating ambient temperature (-20°C~55°C), full load
- Altitude up to 5000m
- All using 105°C long life electrolytic capacitors
- 1.5 U low profile
- PCB soldering side with conformal coating
- 3 years warranty

MODEL		PDF-2400-48-1.5U	
OUTPUT	DC Output	48V	
	Rated Current (90~174Vac)	25A	
	Rated Current (175~264Vac)	50A	
	Ripple and Noise Note 2	-20~55°C	≤200mV
	Voltage ADJ. Range	42~56V	
	Voltage Accuracy	±2%	
	Line Regulation	±0.5%	
	Load Regulation	±2%	
	Set-up Time	≤8S (220Vac input, Full load)	
	Hold up Time	≥5mS (220Vac input, Full load)	
	Temperature Coefficient	±0.03%/°C	
	Overshoot and Undershoot	≤ ± 2400mV	
	INPUT	Voltage Range	90Vac~264Vac
Input limit voltage		310Vac for long time, no damage PS	
Frequency Range		47Hz~63Hz	
Power Factor(Typical)		>0.98/220VAC Full Load	
Efficiency (Typical) @ 220Vac		≥91%	
AC Current (max.)		≤20A	
Inrush Current (Typical)		≤30A @220Vac Cold start	
Leakage Current		Input—output: ≤0.25mA Input—PG: ≤3.5mA	
PROTECTION Input	Under voltage protection point	≤85 Vac, shut down output	
	Under voltage recovery point	≤88Vac, when input voltage raise up to recovery point, auto recovery, return difference ≥5V	
	Over voltage protection point	≥312Vac, shut down output	
	Over voltage recovery point	≥302Vac, when input voltage decline to recovery point, auto recovery, return difference ≥5V	
PROTECTION Output	Over Current	51.5~54A, hiccup mode, auto recovery	
	Over Power	2470~2592W	
	Over Temperature	115°C±5°C (detect on Mosfet temperature);shut down,auto recovery after the temperature goes down to 75°C	
	Over Voltage	58~62V, constant voltage, auto recovery	
	Short Circuit	Long-term mode, constant current, auto recovery	
ENVIRONMENT	Operating amb. Temp. & Hum.	-20°C~55°C; 5%~90%RH No condensing full load	
	Storage Temp. & Hum.	-40°C~70°C; 5%~95%RH No condensing	
SAFETY & EMC (Note 3)	Safety Standards	Meet IEC60950/UL60950/TUV EN60950-1	
	Withstand Voltage	Primary-Secondary: 4242Vdc/10mA .Primary-PG: 2121KVdc /10mA. Secondary-PG: 500KVdc/10mA.	
	Isolation Resistance	10M ohms	
	EMI Conduction & Radiation	Compliance to EN55022, CLASS A, FCC PART 15 CLASS A	
	Harmonic Current	Compliance to EN61000-3-2,Class D	
	EMS Immunity	Compliance to EN61000-4-2,3,4,5,6,8,11;	
OTHERS	MTBF (MIL-HDBK-217F)	More than 200,000Hrs (25°C, Full load)	

	Dimension (L*W*H)	295*127*63mm
	Packing	4pcs/CTN
	Cooling method	Forced air cooling (Built-in fan,the fan speed is controlled by load and internal temp.)
NOTE	<ol style="list-style-type: none">1. All parameters NOT specially mentioned are measured at rated input, rated load and 25°C of ambient temperature.2. Measured at 20MHz of bandwidth by using a 12" twisted pair-wire terminated with a 0.1 uF & 47uF parallel capacitor.3. The power supply is considered as a component which will be installed into a final equipment. The final equipment must be re-confirmed that it still meets EMC directives. For guidance on how to perform these EMC tests, please refer to "EMI testing of component power supplies" on http://www.powerld.com.cn	

Mechanical Specification

Unit:mm



1.AC terminal blocks definition	
No.	Wire Specs
L	14-12AWG
N	
PE	

2.DC terminal blocks definition			
No.	Function	Terminal	Wire specs
V+	Output 48V+	ACTB019 terminal	10-8AWG
V-	Output 48V1		
SIG2	ON/OFF control	A2006WR-2X2PIN	22-24AWG
DC / OK	PS working signal		
SIGA	Current share bus		
S+	Remote compensation +		
S-	Remote compensation -		

Block Diagram

