


■ Features:

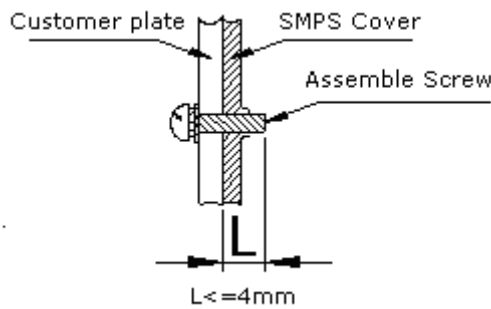
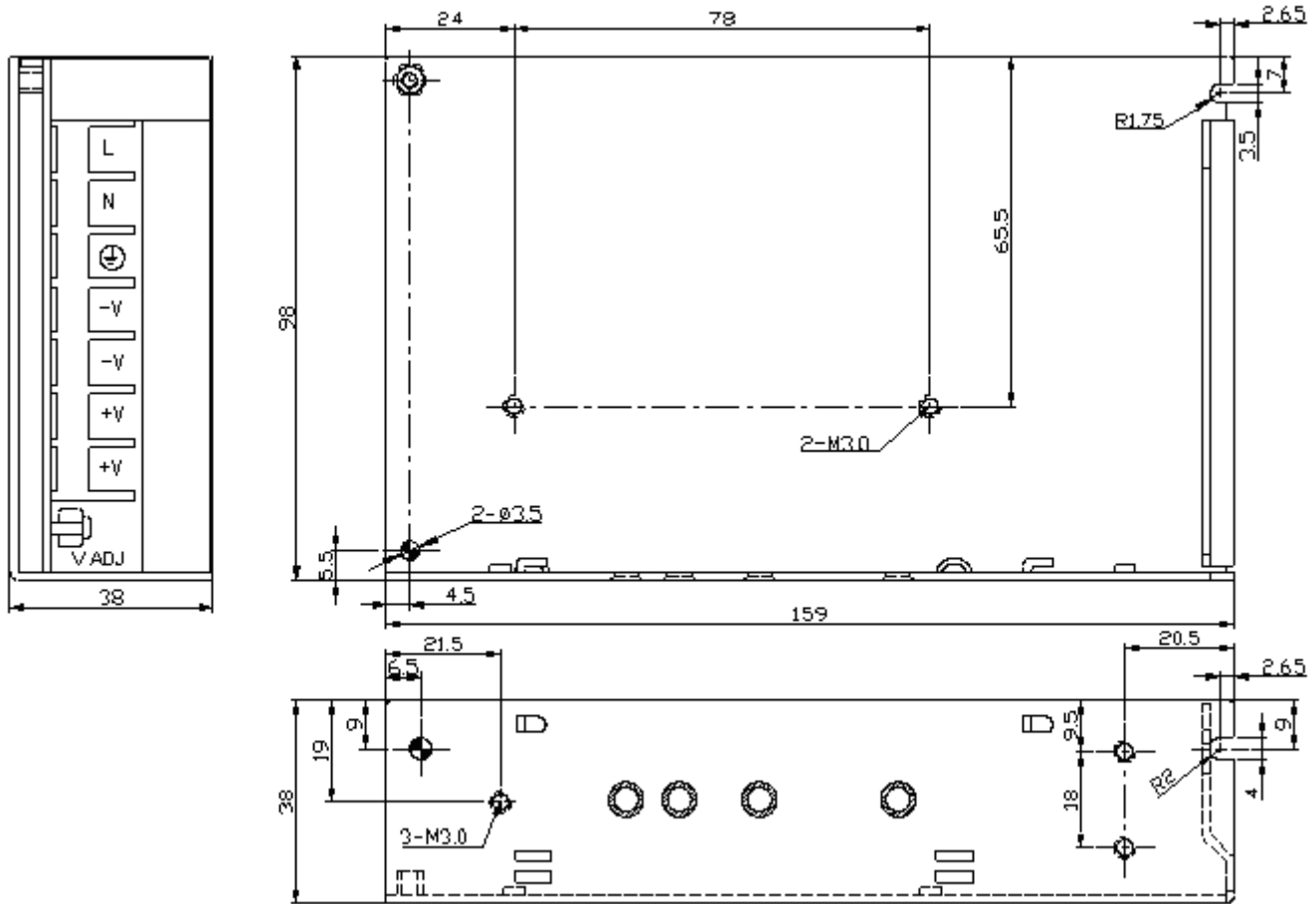
- Universal AC input/ Full range
- High Efficiency, and High reliability
- Output protections: OLP/OVP/SCP
- Wide operating ambient temperature (-20°C~70°C)
- All using 105°C long life electrolytic capacitors.
- 100% full load burn-in test
- 3 years warranty

SPECIFICATION

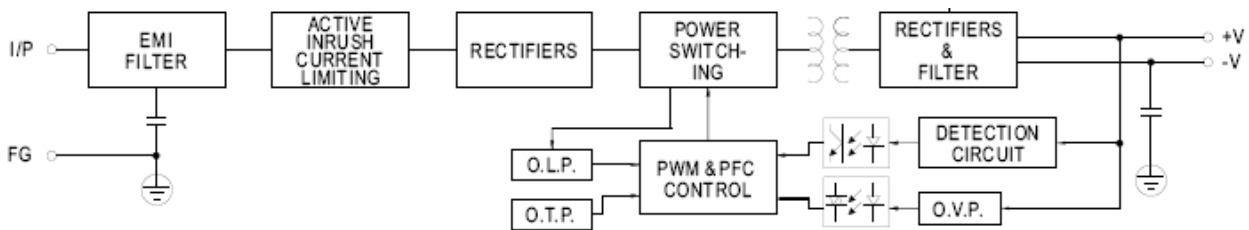
MODEL		PD-100-5	PD-100-12	PD-100-15	PD-100-24	PD-100-48	
OUTPUT	DC Output	5.0V	12.0V	15.0V	24.0V	48.V	
	Rated Current	16A	8.5A	7A	4.5 A	2.3A	
	Current Range	0~16A	0~8.5A	0~7.0A	0~4.5A	0~2.3A	
	Ripple and Noise	0~70°C	<80mV	<100mV	<100mV	<120mV	<200mV
		Note 2 -20~0°C	<100mV	<120mV	<120mV	<120mV	<200 mV
	Voltage ADJ. Range	4.7~5.6V	11~13V	13.7~16.3V	22.4~27.3V	44.4~52.2V	
	Voltage Accuracy	±2.0%	±1.0%	±1.0%	±1.0%	±1.0%	
	Line Regulation	±0.5%	±0.5%	±0.5%	±0.5%	±0.5%	
	Load Regulation	±1.0%	±1.0%	±1.0%	±1.0%	±1.0%	
	Set-up Time	<2.0S (115Vac input, Full load); <1.0S (230Vac input, Full load)					
	Hold up Time	>10mS(115Vac input, Full load); >20mS(230Vac input, Full load)					
	Temperature Coefficient	±0.03%/°C					
Overshoot and Undershoot	<5.0%						
INPUT	Voltage Range	90Vac~264Vac,127~370Vdc					
	Frequency Range	47Hz-63Hz					
	Efficiency (Typical)	115Vac input	80%	80%	83%	85%	83%
		230Vac input	80%	81%	84%	85%	84%
	AC Current (max.)	<2.5A					
	Inrush Current (Typical)	20A@115Vac 40A@230Vac Cold start					
Leakage Current	<0.4mA@115Vac <0.75mA@230Vac						
PROTECTION	Over Load	105%~150% of rated output current, hiccup mode, auto recovery					
	Over Voltage	110%~150% of rated output voltage, shut down					
	Short Circuit	Long-term mode, auto recovery					
ENVIRONMENT	Operating amb. Temp. & Hum.	-20°C~70°C; 20%~90%RH No condensing (refer to the derating curve)					
	Storage Temp. & Hum.	-40°C~85°C; 10%~95%RH No condensing					
SAFETY & EMC (Note 3)	Safety Standards	UL60950-1; EN60950-1: 2006					
	Withstand Voltage	Primary-Secondary:3.0KVac; ≤10mA .Primary-PG:1.5KVac; ≤10mA. Secondary-PG:0.5KVDC; ≤10mA.					
	Isolation Resistance	≥100M ohms					
	EMI Conduction&Radiation	Compliance to EN55022(CISPR22)ClassB					
	Harmonic Current	Compliance to EN61000-3-2,-3					
	EMS Immunity	Compliance to EN61000-4-2,3,4,5,6,8,11;ENV50204,light industry level,criteriaA					
OTHERS	MTBF (MIL-HDBK-217F)	More than 200,000Hrs (25°C, Full load)					
	Dimension (L*W*H)	160×98×38mm					
	Packing	20PCS/CTN, 13.6KGS, 0.04CBM					
	Cooling method	Cooling by free air convection					
NOTE	<ol style="list-style-type: none"> 1. All parameters NOT specially mentioned are measured at 230Vac input, rated load and 25°C of ambient temperature. 2. Measured at 20MHz of bandwidth by using a 12" twisted pair-wire terminated with a 0.1 uF & 47uF parallel capacitor 3. The SPS is considered a component which will be installed into final equipment. The equipment must be re-confirmed that it still meets EMC directives. 4. Powerld offer accessories for Din-35 rail bar. Please contact sales staff for details. 						

■ **Mechanical Specification**

Unit: mm



■ **Block Diagram**



Derating Curve

